

D-90 Versatile Locking Breaker Handle



FEATURES

- Available with or without keyed cylinder lock
- Padlocking provision standard
- No-play handle when door is locked
- Hidden screw holes, tamperproof design
- Two inside safety releases available:
 - 90° quarter turn handle release (ADA compliant) or knob
 - Disassembly type release
- Wide base option for exposed screw holes for quick door mounting
- High strength, corrosion-resistant alloy
- Design especially for magnetic gasket doors
- Handle bumper to protect door finish

DENT
DESIGN HARDWARE

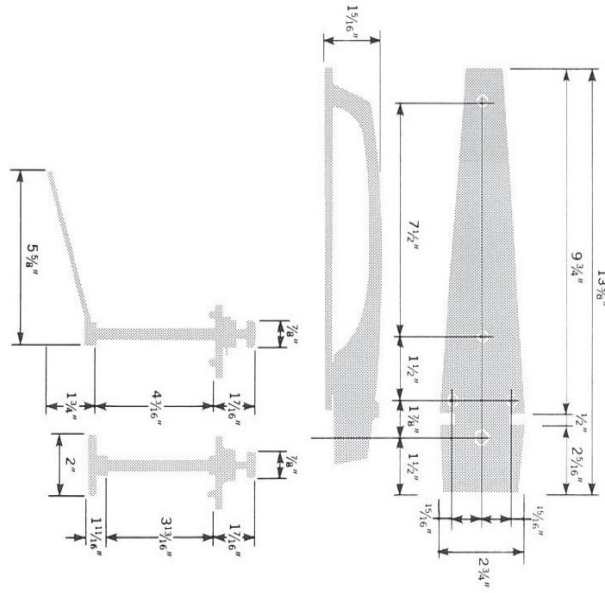
1-800-598-DENT
www.dent-mfg.com

Fax: 610-262-1870
sales@dent-mfg.com

HANDLES & MAGNETIC DOOR HARDWARE

D-90 Versatile Locking Breaker Handle

HANDLES & MAGNETIC DOOR HARDWARE



SPECIFICATIONS

Overall Length: 13-3/8"

Material: Aluminum

Finishes: Polished Aluminum
Brushed Aluminum
*Other finishes available

Offsets: Flush, 1-1/8", 1-1/4", 1-3/8", 1-1/2", 1-5/8", 1-3/4"

Screw Holes: 1/4" Hole, 82° Countersunk

Shipping Weight: Aluminum 2.5 lbs / each

Note: Specify offset, release type, and wall thickness



1-800-598-DENT
www.dent-mfg.com

Fax: 610-262-1870
sales@dent-mfg.com