

D-897 Super Heavy Duty Spring Door Closer



FEATURES

- 100% Stainless Steel construction
- Cast components are super-high grade 316 stainless as per pharmaceutical specifications, impervious to even the most caustic cleaning agents and superior to even 304 grade stainless.
- Main internal spring is also Stainless, 17-7 grade for elongation
- Fasteners, barrel tube and small secondary springs, 18-8 stainless.
- Hole compatible to competition - good for field replacements as needed due to inclimate and rust-prone environments.

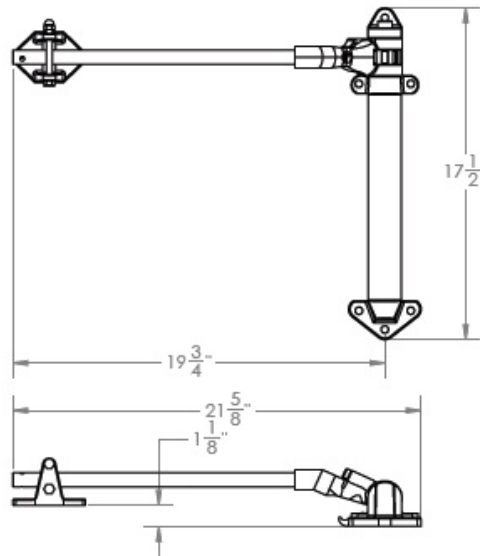
TRAPS, VENTILATORS & MISC.

DENT
DESIGN HARDWARE

1-800-598-DENT
www.dent-mfg.com

Fax: 610-262-1870
sales@dent-mfg.com

D-897 Super Heavy Duty Spring Door Closer



SPECIFICATIONS

Overall Length: 18"

Overall Width: 22", Jamb Mount Width, 4"

Material: 100% Stainless Steel

Finishes: Cast, Brushed, Satin and Mirror Polish

Offsets: Standard configuration works with Flush to 1-1/2" Offset

Screw Holes: 3/8" Diameter for Lag Bolts

Shipping Weight: Stainless Steel 15 lbs / each