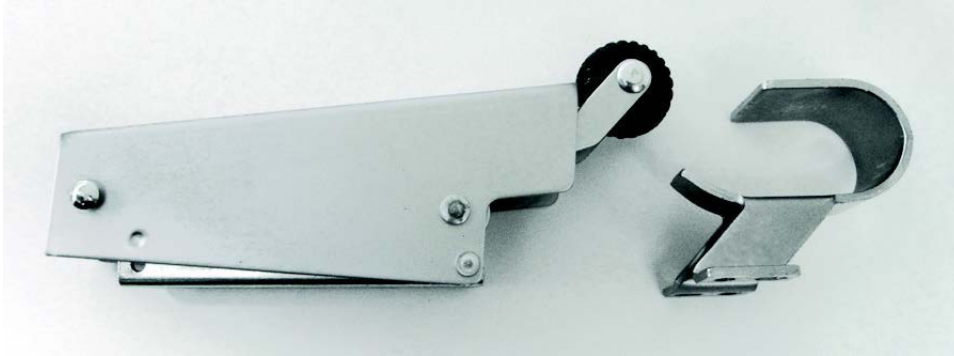


D-851 Spring Door Closer



FEATURES

- Smooth, silent closing action
- Prevents door from slamming
- Keeps door firmly closed and can re-close doors that pop open because of temperature-pressure build up
- Rugged, extra heavy gauge Steel construction
- Complete assembly includes fasteners and metal cover

TRAPS, VENTILATORS & MISC.

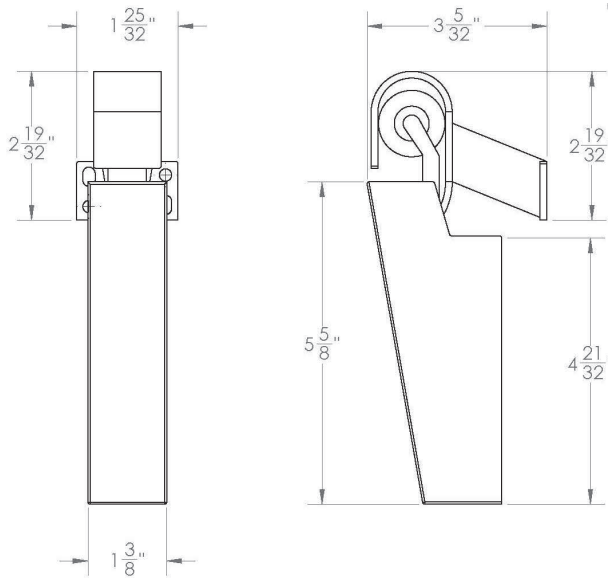
DENT
DESIGN HARDWARE

1-800-598-DENT
www.dent-mfg.com

Fax: 610-262-1870
sales@dent-mfg.com

D-851 Spring Door Closer

TRAPS, VENTILATORS & MISC.



SPECIFICATIONS

Overall Length: Approximately 8"

Material: Chrome plated steel

Finish: Chrome

Offsets: Flush and Offset

Screw Holes: #8-32

Shipping Weight: 2 lbs.

DENT
DESIGN HARDWARE

1-800-598-DENT
www.dent-mfg.com

Fax: 610-262-1870
sales@dent-mfg.com