

D-83 Magnetic Door Breaker Handle



FEATURES

- Easy lever action, long life
- Tamperproof—all fasteners concealed
- Padlocking provision
- Equipped with Stainless Steel pin and low friction bearings
- Designed especially for lightweight, magnetic gasket walk-in doors
- High strength, corrosion-resistant alloy
- Inside safety release is optional and extra
 - Specify D-83-SR and wall thickness when ordering

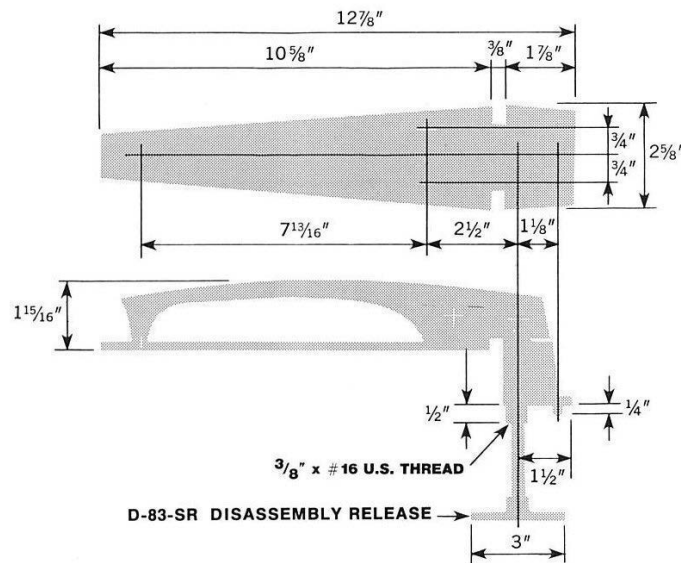
DENT
DESIGN HARDWARE

1-800-598-DENT
www.dent-mfg.com

Fax: 610-262-1870
sales@dent-mfg.com

HANDLES & MAGNETIC DOOR HARDWARE

D-83 Magnetic Door Breaker Handle



SPECIFICATIONS

Overall Length: 12-7/8"

Materials: Aluminum
Manganese Bronze

Finishes: Polished Aluminum
Brushed Aluminum
Polished Chrome
*Other finishes available

Offsets: Flush, 1-1/4", 1-5/8", 1-3/4"

Screw Holes: 1/4" Hole, 82° Countersunk

Shipping Weight: Aluminum 1.5 lbs / each
Bronze 3.3 lbs each

Note: Specify offset