

D-800 Wedge Type Padlocking Handle Lever



FEATURES

- Reversible
- Padlocking
- Wedges securely
- For service door and other applications
- High strength, corrosion-resistant alloy

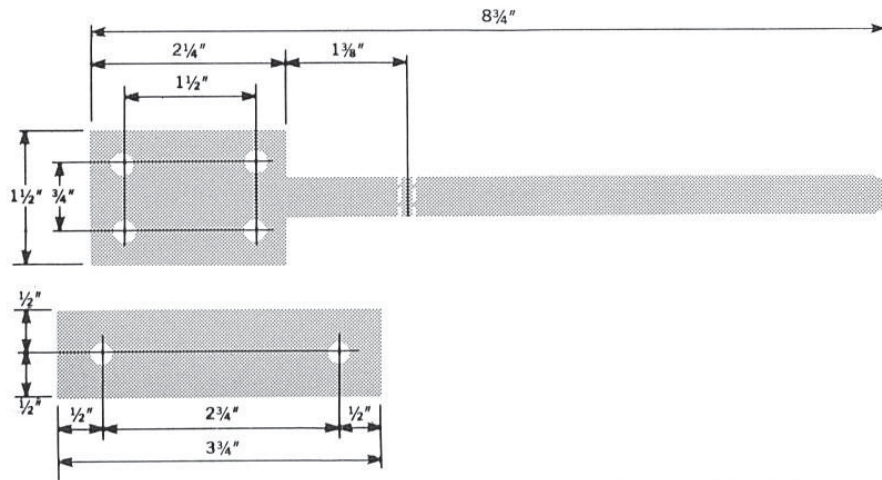
DENT
DESIGN HARDWARE

1-800-598-DENT
www.dent-mfg.com

Fax: 610-262-1870
sales@dent-mfg.com

D-800 Wedge Type Padlocking Handle Lever

LATCHES



SPECIFICATIONS

Overall Length: 8-3/4"

Material: Aluminum

Finishes: Polished Aluminum
Brushed Aluminum
*Other finishes available

Offsets: Flush

Screw Holes: 1/4" Hole, 82° Countersunk

Shipping Weight: Aluminum 0.7 lbs / each

DENT
DESIGN HARDWARE

1-800-598-DENT
www.dent-mfg.com

Fax: 610-262-1870
sales@dent-mfg.com