

# D-75 7" Medium Duty Strap Hinge



HINGES

## FEATURES

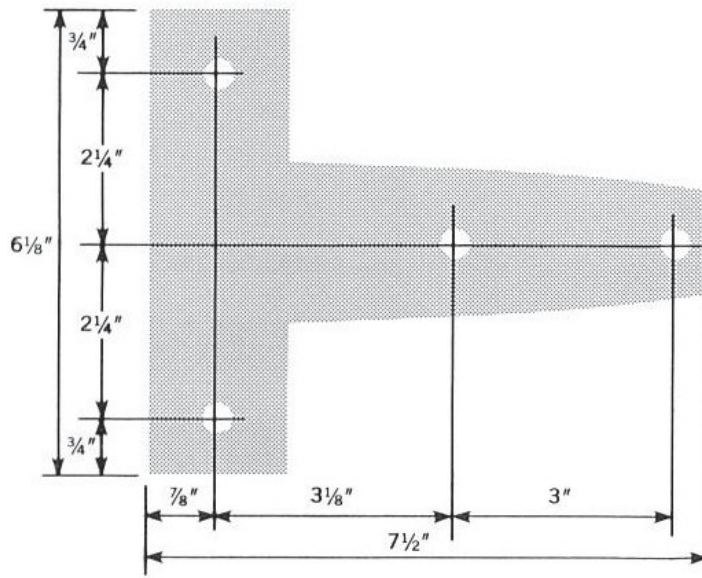
- High strength Aluminum
- Corrosion-resistant
- Long life, wear-resistant Nylon bearings
- 3/8" diameter Stainless Steel pin, 1/2" diameter option
- Contemporary styling, easy cleaning
- Reversible swing
- Reliable, efficient, and economical
- Versatile; unlimited applications
- Optional 3/8" countersunk holes available

**DENT**  
DESIGN HARDWARE

1-800-598-DENT  
[www.dent-mfg.com](http://www.dent-mfg.com)

Fax: 610-262-1870  
[sales@dent-mfg.com](mailto:sales@dent-mfg.com)

# D-75 7" Medium Duty Strap Hinge



## SPECIFICATIONS

**Overall Length:** 7-1/2"

**Material:** Aluminum

**Finishes:** Polished Aluminum  
Brushed Aluminum  
\*Other finishes available

**Offsets:** Flush  
\*Base shims 1/8" thick available

**Screw Holes:** 1/4" Hole, 82° Countersunk

**Shipping Weight:** Aluminum 2.2 lbs / pair

**Hinge Load Capacity:** Aluminum 175 lbs / 1 pair