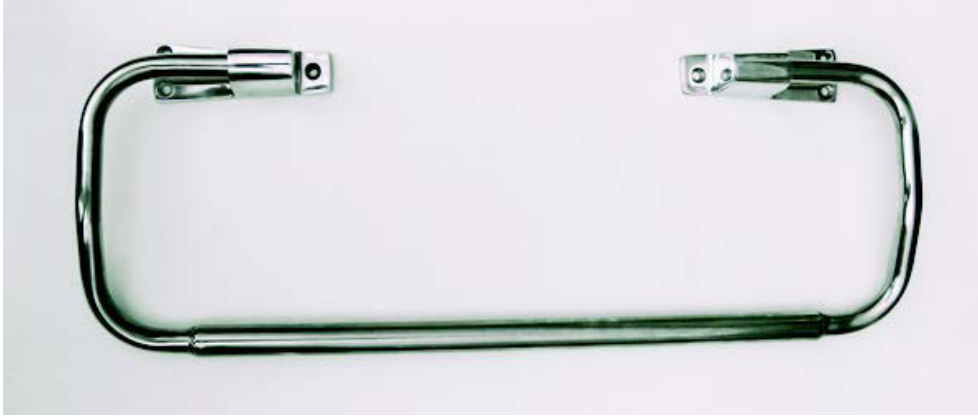


# D-70 Bump Bar—Inside Release Accessory



TRAPS, VENTILATORS & MISC.

## FEATURES

- Designed for hands-free opening of latching doors from inside of enclosure
- Works with all push-knob and push-style inside release mechanisms
- No Chrome-plating or Zinc content for food safety
- Smooth, easily cleaned surfaces
- High strength, corrosion-resistant alloys

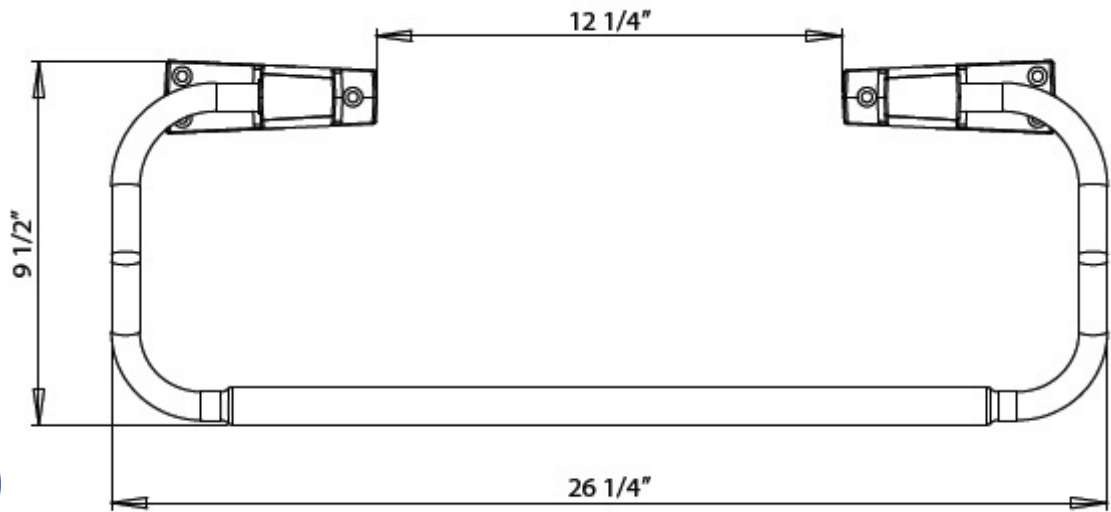
**DENT**  
DESIGN HARDWARE

1-800-598-DENT  
[www.dent-mfg.com](http://www.dent-mfg.com)

Fax: 610-262-1870  
[sales@dent-mfg.com](mailto:sales@dent-mfg.com)

# D-70 Bump Bar—Inside Release Accessory

TRAPS, VENTILATORS & MISC.



## SPECIFICATIONS

**Overall Length:** 26"

**Materials:** Stainless Steel Bar  
Aluminum pivot bases standard  
\*Complete Stainless Steel construction also available

**Finishes:** Polished Aluminum  
Brushed Aluminum

**Screw Holes:** 1/4 - 20" Hole

**Shipping Weight:** Stainless Steel bar & Aluminum pivots 3.20 lbs / each

**DENT**  
DESIGN HARDWARE

1-800-598-DENT  
[www.dent-mfg.com](http://www.dent-mfg.com)

Fax: 610-262-1870  
[sales@dent-mfg.com](mailto:sales@dent-mfg.com)