

# D-69-B 11" 2 Post Reversible Self-Closing Hinge



HINGES

## FEATURES

- Heavy duty, 2-post hinge
- Reversible swing
- Self-lubricating, wear-resistant Nylon and Delrin cams
- 1/2" lift
- Easy opening, smooth self-closing action
- Corrosion-resistant alloy
- Designed especially for foam construction

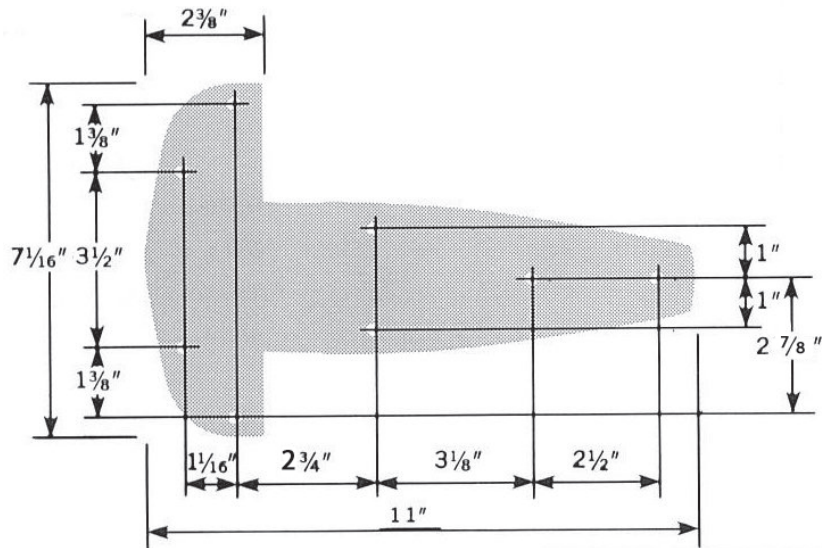
**DENT**  
DESIGN HARDWARE

1-800-598-DENT  
[www.dent-mfg.com](http://www.dent-mfg.com)

Fax: 610-262-1870  
[sales@dent-mfg.com](mailto:sales@dent-mfg.com)

# D-69-B 11" 2 Post Reversible Self-Closing Hinge

HINGES



## SPECIFICATIONS

**Overall Length:** 11"

**Material:** Aluminum

**Finishes:** Polished Aluminum  
Brushed Aluminum  
\*Other finishes available

**Offsets:** Flush

**Screw Holes:** 1/4" Hole, 82° Countersunk

**Shipping Weight:** Aluminum 3.5 lbs / pair

**Hinge Load Capacity:** Aluminum 200 lbs / 1 pair

**DENT**  
DESIGN HARDWARE

1-800-598-DENT  
www.dent-mfg.com

Fax: 610-262-1870  
sales@dent-mfg.com