

D-690-HDS 10" Reversible Spring Hinge



HINGES

FEATURES

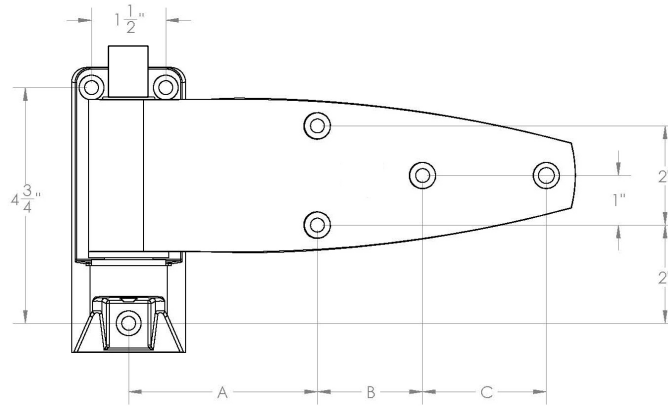
- Adjustable version now available with same hold pattern and appearance
- Reverse hinge swing in seconds for right or left hand door, just slide blade off and reverse
- Strong spring action adds extra closing force to overcome air resistance on heavy walk-in doors
- Heavy duty 3/8" diameter Stainless Steel pin
- Super sized, heavy duty, self-lubricating Nylon cams deliver smooth, trouble-free operation, closing door with minimum effort
- Cam lift action reduces gasket wear, built in dwell holds door open beyond 90°
- Doors lift off without disassembly or removing hinges
- Concealed spring, specify D-690-CS
- Cam lift only, specify D-690-C—3 part spring kit is available to convert camlift to D-690-CS as needed
- Heavy duty spring, specify D-690-HDS

DENT
DESIGN HARDWARE

1-800-598-DENT
www.dent-mfg.com

Fax: 610-262-1870
sales@dent-mfg.com

D-690-HDS 10" Reversible Spring Hinge



	A	B	C
FLUSH	3 13/16	2 1/8	2 1/2
OFFSET	3 1/2	2 3/8	2 1/2

SPECIFICATIONS

Overall Length: 10"

Material: Aluminum

Finishes: Polished Aluminum
Brushed Aluminum
Endurakote Nylon

Offsets: Flush, 1-1/8", 1-1/4", 1-3/8", 1-3/4"
*Base shims 1/8" and 1/4" thick available

Screw Holes: 1/4" Hole, 82° Countersunk

Shipping Weight: Aluminum 2.4 lbs / each

Hinge Load Capacity: Aluminum 200 lbs / 1 pair