

D-690-B 2 Post Reversible Spring Assisted Hinge



HINGES

FEATURES

- Heavy duty 11", 2-post hinge
- Spring assisted
- Concealed spring action
- Reversible swing
- Self-lubricating, wear-resistant Nylon and Delrin cams
- 1/2" lift
- Easy opening, smooth positive self-closing
- Corrosion-resistant alloy
- Designed especially for foam construction
- Available in adjustable version

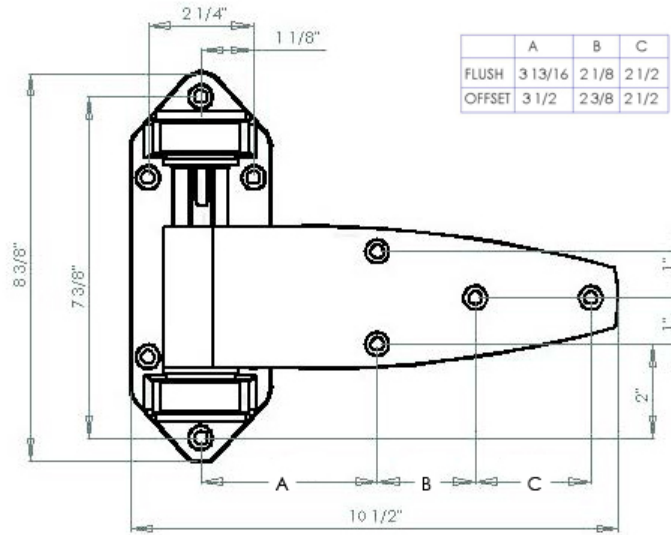
DENT
DESIGN HARDWARE

1-800-598-DENT
www.dent-mfg.com

Fax: 610-262-1870
sales@dent-mfg.com

D-690-B 2 Post Reversible Spring Assisted Hinge

HINGES



SPECIFICATIONS

Overall Length: 11"

Materials: Stainless Steel
Aluminum

Finishes: Polished Aluminum
Brushed Aluminum
Polished Stainless Steel

Offsets: Flush, 1-1/4", 1-3/8", 1-3/4"

Screw Holes: 1/4" Hole, 82° Countersunk

Shipping Weight: Aluminum 3.5 lbs / pair

Hinge Load Capacity: Aluminum 200 lbs / 1 pair

DENT
DESIGN HARDWARE

1-800-598-DENT
www.dent-mfg.com

Fax: 610-262-1870
sales@dent-mfg.com