

D-69 Reversible Self-Closing Cam Lift Hinge



HINGES

FEATURES

- Reversible swing
- Contemporary styling
- Self-lubricating, wear-resistant Nylon and Delrin cams
- 1/2" lift
- Easy opening, smooth self-closing action
- Lift off capability
- Corrosion-resistant alloy
- Freezeproof, no matter how it's cleaned
- Lightweight design saves freight and handling costs
- Longlife, tested 1 million cycles
- Designed especially for foam construction

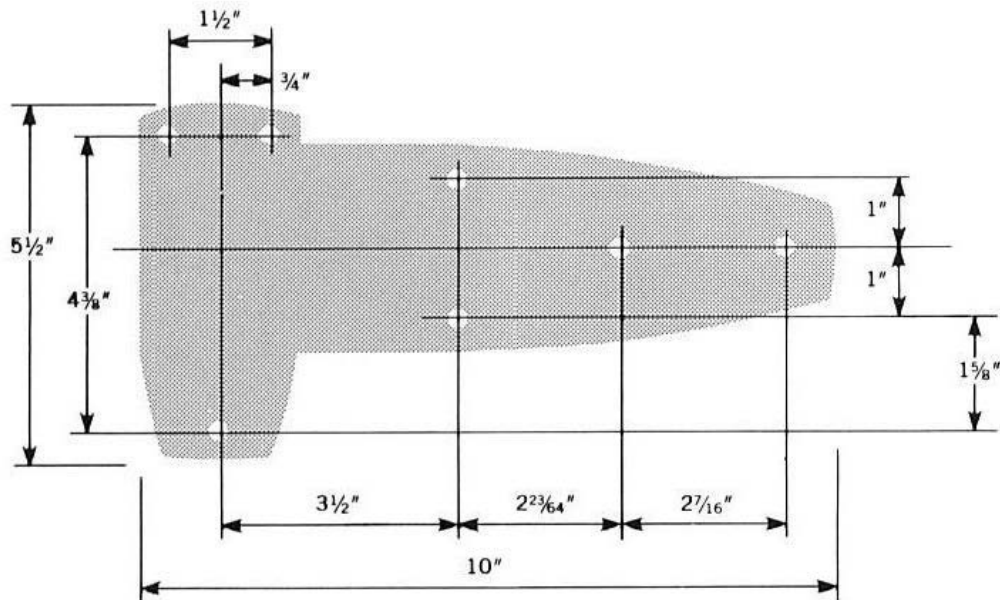
DENT
DESIGN HARDWARE

1-800-598-DENT
www.dent-mfg.com

Fax: 610-262-1870
sales@dent-mfg.com

D-69 Reversible Self-Closing Cam Lift Hinge

HINGES



SPECIFICATIONS

Overall Length: 10"

Material: Aluminum

Finishes: Polished Aluminum
Brushed Aluminum
*Other finishes available

Offsets: Flush, 1-1/8", 1-1/4", 1-3/8", 1-1/2", 1-5/8", 1-3/4", 1-7/8", 2"

Screw Holes: 1/4" Hole, 82° Countersunk

Shipping Weight: Aluminum 2.8 lbs / pair

Hinge Load Capacity: Aluminum 150 lbs / 1 pair

DENT
DESIGN HARDWARE

1-800-598-DENT
www.dent-mfg.com

Fax: 610-262-1870
sales@dent-mfg.com