

D-61H69 Reversible Cam-Lift Hinge



HINGES

FEATURES

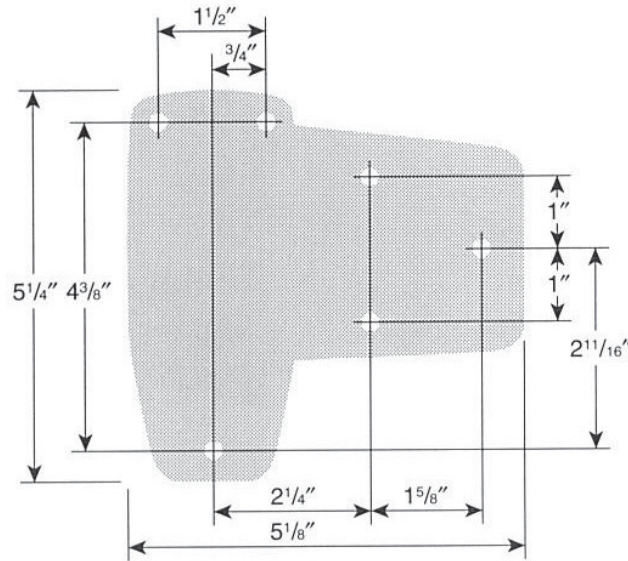
- Self-lubricating, wear-resistant Nylon and Delrin cams
- 1/2" lift
- Lift off feature for easy handling and installation
- Reversible for right or left hand doors
- Smooth opening and closing
- High strength, corrosion-resistant Aluminum
- Spring loaded for extra closing power—specify D-61**HS**69

DENT
DESIGN HARDWARE

1-800-598-DENT
www.dent-mfg.com

Fax: 610-262-1870
sales@dent-mfg.com

D-61H69 Reversible Cam-Lift Hinge



SPECIFICATIONS

Overall Length: 5-1/8"

Material: Aluminum

Finishes: Polished Aluminum
Brushed Aluminum
Endurakote Nylon
*Other finishes available

Offsets: 1-1/8", 1-1/4", 1-3/8", 1-1/2", 1-5/8"

Screw Holes: 1/4" Hole, 82° Countersunk

Shipping Weight: Aluminum 2.0 lbs / pair

Hinge Load Capacity: Aluminum 150 lbs / 1 pair