

D-60 Positive Safety Latch



FEATURES

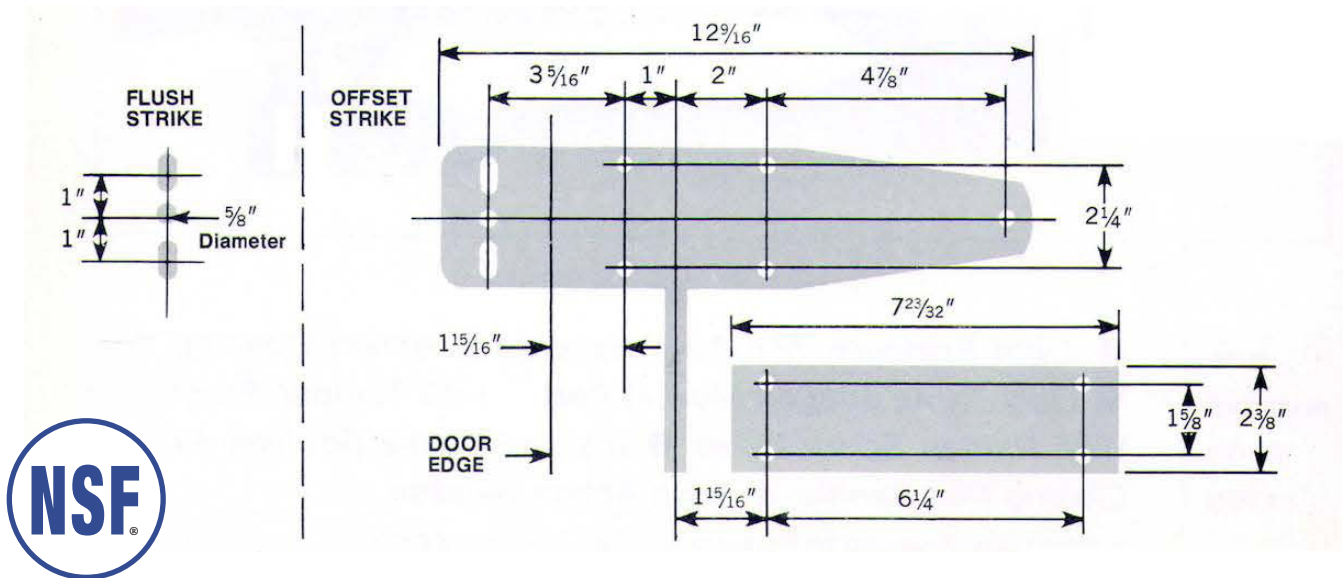
- Easy opening and closing, only 3 lbs. pull required
- Trouble-free operation, only 3 moving parts
- Tamperproof security feature, hidden rear mounting screw prevents latch removal
- Complete assembly, latch, strike, and release
- Available with keyed cylinder lock
- Padlocking provision, 3/8" diameter
- Safety release doubles as closing pull handle
- Gentle push safety release assures instant access to outside when latched, key locked or padlocked
- Adjustable strike, graduations 1/20" to compensate for gasket wear
- Unique strike design eliminates side thrust on door

DENT
DESIGN HARDWARE

1-800-598-DENT
www.dent-mfg.com

Fax: 610-262-1870
sales@dent-mfg.com

D-60 Positive Safety Latch



SPECIFICATIONS

Overall Length: 12-9/16"

Material: Aluminum

Finishes: Polished Aluminum
Brushed Aluminum

Offsets: Flush, 1", 1-1/8", 1-1/4", 1-3/8", 1-1/2", 1-5/8", 1-3/4"
*Other offsets available (specify)

Screw Holes: 1/4" Hole, 82° Countersunk

Shipping Weight: Aluminum 4.3 lbs / each