

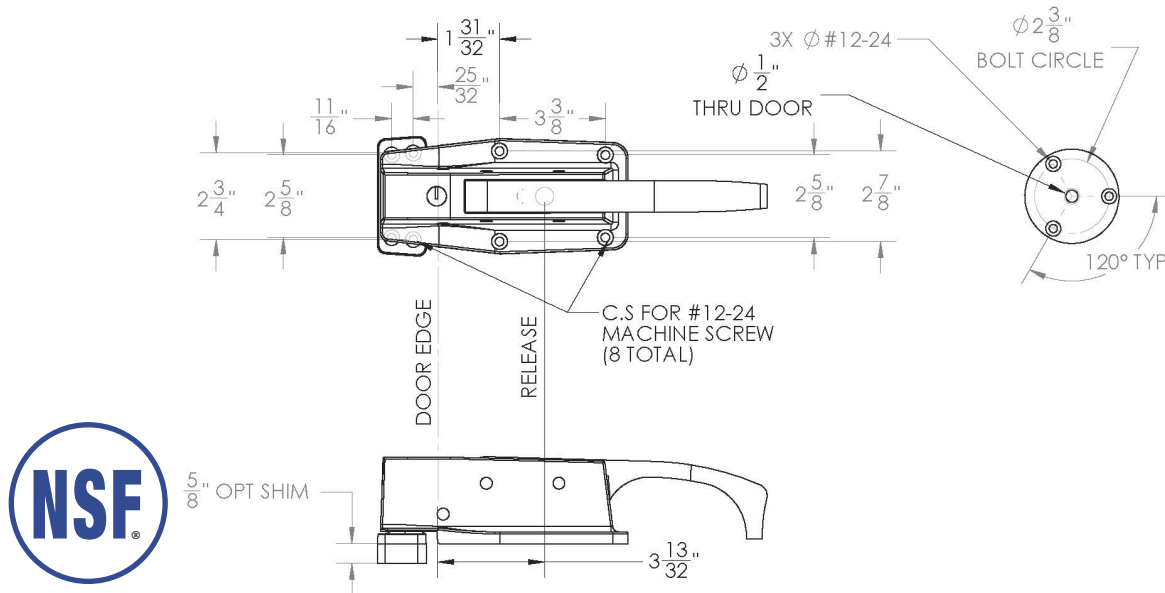
# D-55 Safety Latch



## FEATURES

- Complete assembly includes latches, strike, and safety releases
- Push-knob inside safety release assures instant access to outside when latched, key locked, padlocked, or both
- Long life operation, only 3 moving parts
- Easy opening and closing
- Available with keyed cylinder lock
- Padlocking provision, 3/8" diameter
- High strength, corrosion-resistant alloy
- Stainless Steel internal moving parts
- Also available:
  - Light or heavy spring pressure
  - Inside safety release labels
  - Mounting template drawings
  - Interchangeable hole patterns

# D-55 Safety Latch



## SPECIFICATIONS

**Overall Length:** 12-5/8"

**Materials:** Aluminum

**Finishes:** Polished Aluminum  
Brushed Aluminum  
Cast Aluminum  
Endurakote Nylon

**Offsets:** Flush, 5/8"  
\*Other offsets available (specify)

**Screw Holes:** 1/4" Hole, 82° Countersunk

**Shipping Weight:** Aluminum 3.5 lbs / each

**Note:** When ordering, specify with or without lock, flush or offset, finish, and door thickness.