

D-500 Locking Pull Handle



FEATURES

- Complete handle assembly mounts on door, eliminating alignment problems
- Heavy duty, corrosion-resistant cam lock
- 300 Series stainless steel release rod with non-conducting slip-on tube
- Dual acting 1/4 turn/disassembly type safety release knob
- 180° turn locking, reversible for right or left hand doors
- Mounts horizontally or vertically
- High strength, corrosion-resistant alloy
- Wear plate for safety release (optional)
- No lock handle—specify D-400
- Designed especially for foam construction

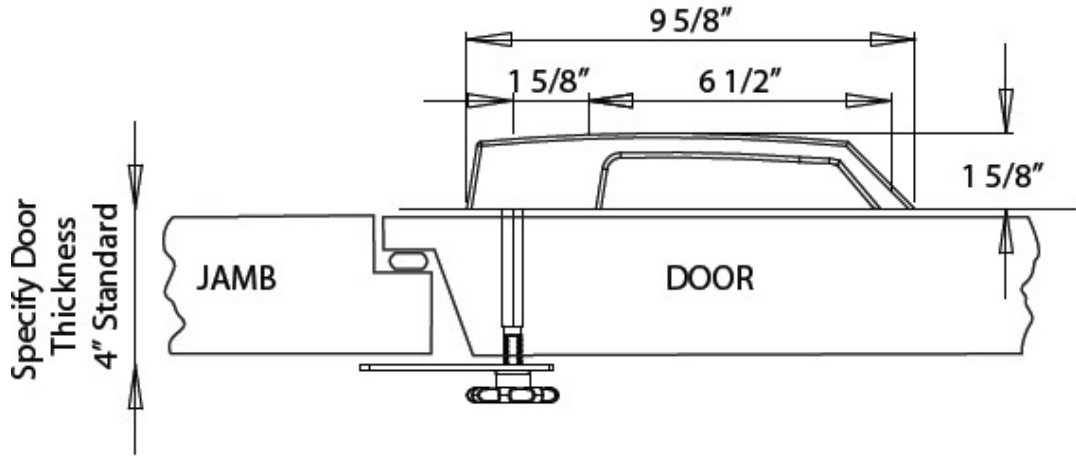
DENT
DESIGN HARDWARE

1-800-598-DENT
www.dent-mfg.com

Fax: 610-262-1870
sales@dent-mfg.com

HANDLES & MAGNETIC DOOR HARDWARE

D-500 Locking Pull Handle



SPECIFICATIONS

Overall Length: 9-5/8"

Material: Aluminum

Finishes: Polished Aluminum
Brushed Aluminum
Endurakote

Offsets: Flush
*Other offsets available (specify)

Screw Holes: 1/4" Hole, 82° Countersunk

Thru Holes: 1/4" - 20 Cap Screw

Shipping Weight: Aluminum 1.45 lbs / each

Note: When ordering, specify drawing dimensions, flush or offset, inside release material, finish, and door thickness. (Installation instructions furnished)