

D-4A Small Door Reach-In Hinge



HINGES

FEATURES

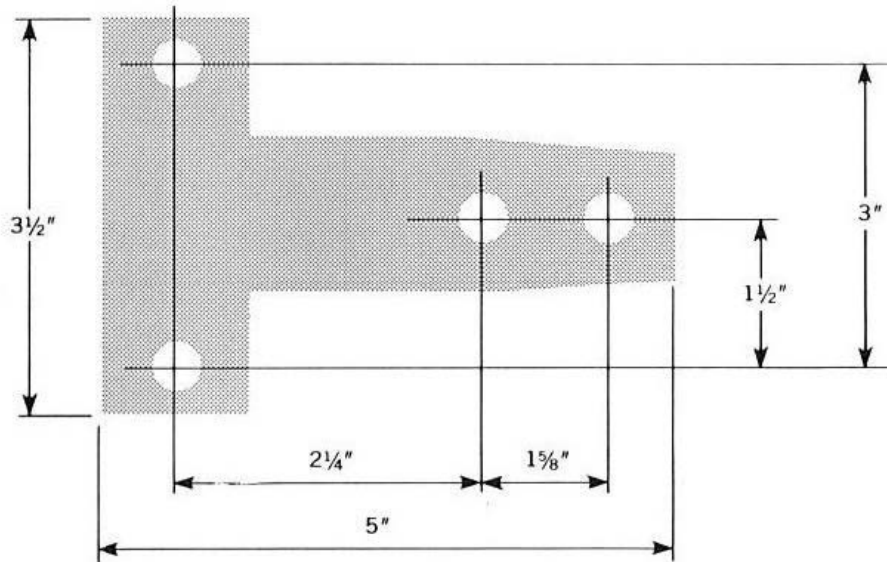
- Contemporary styling
- Reversible swing
- Long-life, wear-resistant Derlin bearings
- Reliable, efficient, and economical
- Versatile
- Narrow base for small service doors
- 5/16" diameter Stainless Steel pin
- Corrosion-resistant

DENT
DESIGN HARDWARE

1-800-598-DENT
www.dent-mfg.com

Fax: 610-262-1870
sales@dent-mfg.com

D-4A Small Door reach-In Hinge



SPECIFICATIONS

Overall Length: 5"

Material: Aluminum

Finishes: Polished Aluminum
Brushed Aluminum
*Other finishes available

Offsets: Flush
*Base shims, 3/8" thick available

Screw Holes: 1/4" Hole, 82° Countersunk

Shipping Weight: Aluminum 0.8 lbs / pair

Hinge Load Capacity: Aluminum 60 lbs / 1 pair