

D-400 Economical Door Pull Handle



PULL HANDLES

FEATURES

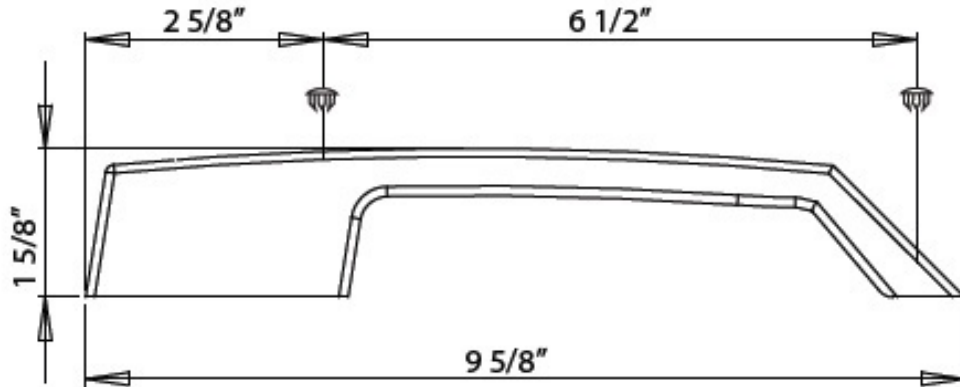
- Perfect for magnetic door walk-ins and freezers
- Easy-grab pull
- Mounts vertically or horizontally
- Popular finishes to choose from
- high strength, Corrosion-resistant alloy

DENT
DESIGN HARDWARE

1-800-598-DENT
www.dent-mfg.com

Fax: 610-262-1870
sales@dent-mfg.com

D-400 Economical Door Pull Handle



SPECIFICATIONS

Overall Length: 9-1/2"

Material: Aluminum

Finishes: Polished Aluminum
 Brushed Aluminum
 Endurakote Nylon
 *Other finishes available

Front Mount: 1/4" Hole, 82° Countersunk

Concealed Mount: Drilled and tapped for 1/4" - 20 Screw

Shipping Weight: Aluminum 0.7 lbs / each