

# D-4 Small Door Reach-In Hinge



HINGES

## FEATURES

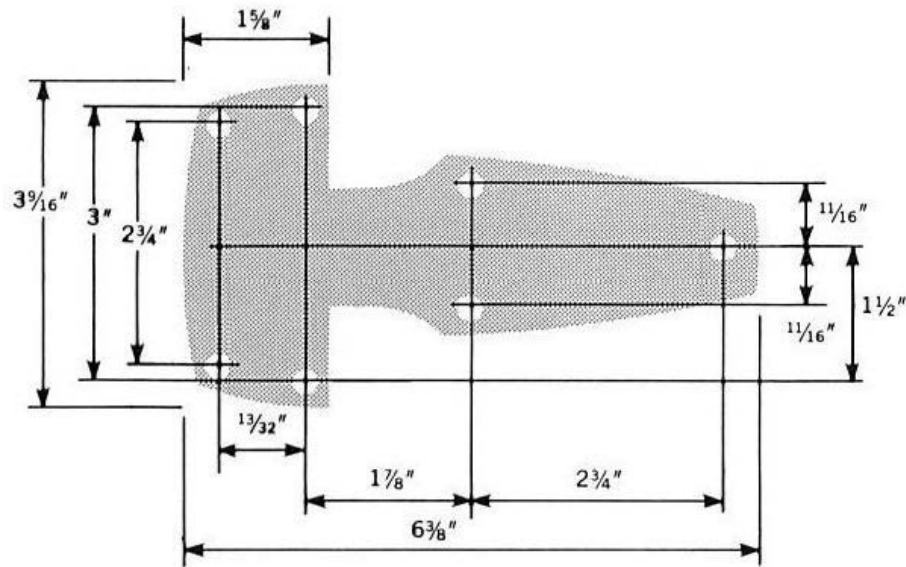
- 5/16" diameter Stainless Steel pin
- Derlin bearings
- Military applications
- Aluminum or Bronze construction
- Reliable, efficient small door hinge
- Reversible swing

**DENT**  
DESIGN HARDWARE

1-800-598-DENT  
[www.dent-mfg.com](http://www.dent-mfg.com)

Fax: 610-262-1870  
[sales@dent-mfg.com](mailto:sales@dent-mfg.com)

# D-4 Small Door Reach-In Hinge



## SPECIFICATIONS

**Overall Length:** 6-3/8"

**Materials:** Aluminum  
Manganese Bronze

**Finishes:** Polished Aluminum  
Polished Chrome  
\*Other finishes available

**Offsets:** 1-1/4"  
\*Other offsets available upon request

**Screw Holes:** Drilled and Countersunk No. 10 Screw

**Shipping Weight:** Bronze 2.3 lbs / pair

**Hinge Load Capacity:** Bronze 80 lbs / 1 pair