

D-36 17" Heavy Duty 3 Post Strap Hinge



HINGES

FEATURES

DISCONTINUED FOR OEM USE
SOLD AS REPLACEMENT ONLY
Use D-38 lift or non-lift hinge.

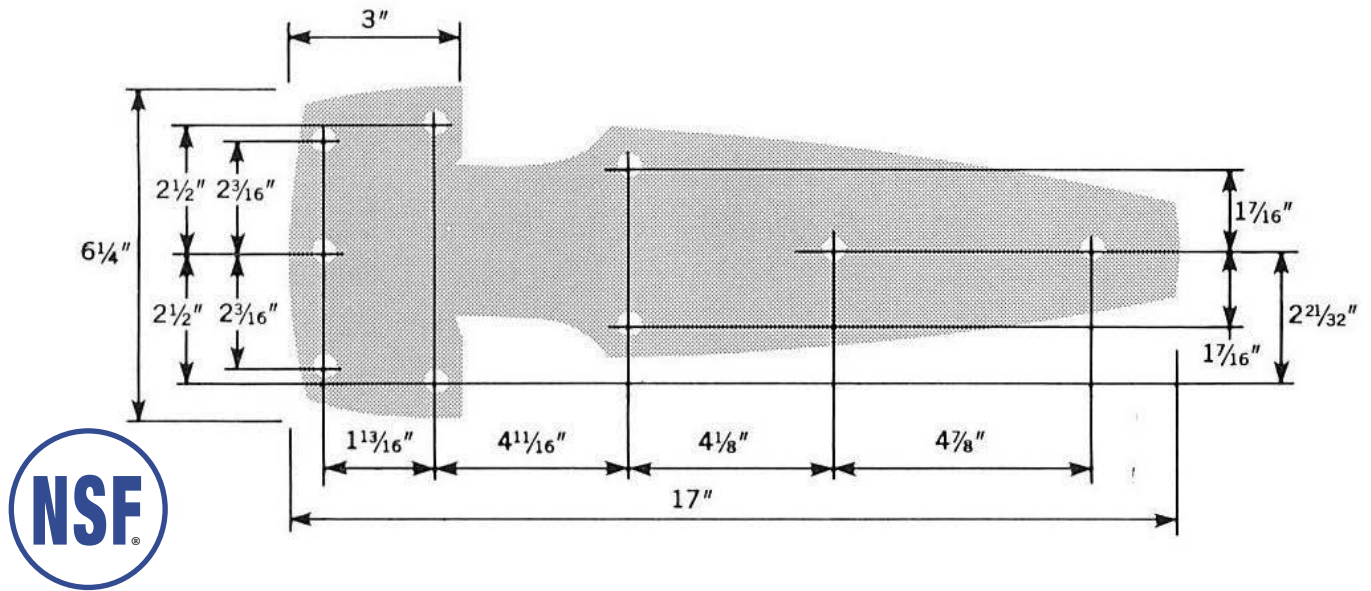
- 3/8" diameter #304 Stainless Steel pin
- Two hardened Steel ball bearings
- Three post base construction
- Heavy, reinforced Manganese Bronze construction
- Reversible for right or left hand by changing bearing
- Also available in high-strength Aluminum

DENT
DESIGN HARDWARE

1-800-598-DENT
www.dent-mfg.com

Fax: 610-262-1870
sales@dent-mfg.com

D-36 17" Heavy Duty 3 Post Strap Hinge



SPECIFICATIONS

Overall Length: 17"

Materials: Manganese Bronze
Aluminum

Finishes: Polished Aluminum
Polished Chrome
*Other finishes available

Offsets: Flush, 1-1/8", 1-1/4"
*Other offsets available
*Base shims 1/8" thick available

Screw Holes: 1/4" Hole, 82° Countersunk

Shipping Weight: Bronze 13.0 lbs / pair

Hinge Load Capacity: Bronze 250 lbs / 1 pair