

D-34-MS Edgemount Self-Closing Hinge



HINGES

FEATURES

- Heavy duty edgemount for freezers or walk-ins
- Reversible swing
- Self-lubricating, wear-resistant Nylon and Delrin cams
- 1/2" lift
- Easy opening, smooth self-closing action
- Lift-off capability
- Corrosion-resistant alloy

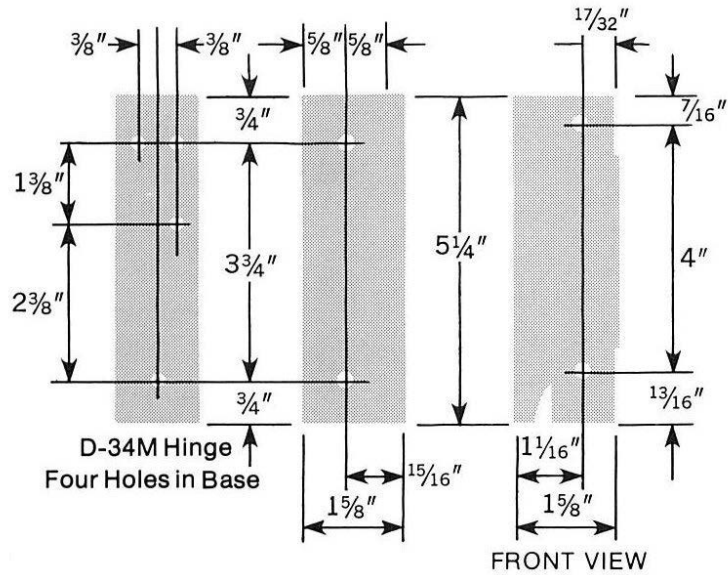
DENT
DESIGN HARDWARE

1-800-598-DENT
www.dent-mfg.com

Fax: 610-262-1870
sales@dent-mfg.com

D-34-MS Edgmount Self-Closing Hinge

HINGES



SPECIFICATIONS

Overall Length: 5-1/4"

Overall Width: 1-5/8"

Material: Aluminum

Finishes: Polished Aluminum
Brushed Aluminum
*Other finishes available

Screw Holes: 1/4" Hole, 82° Countersunk

Shipping Weight: Aluminum 1.5 lbs / pair

Hinge Load Capacity: Aluminum 100 lbs / 1 pair

DENT
DESIGN HARDWARE

1-800-598-DENT
www.dent-mfg.com

Fax: 610-262-1870
sales@dent-mfg.com