

D-311 12" Heavy Duty Cam-Lift Hinge



HINGES

FEATURES

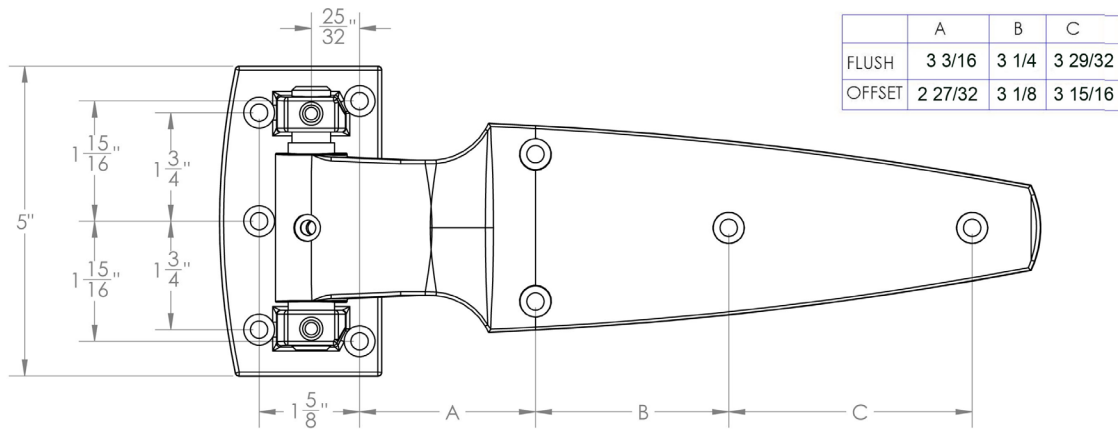
- Lifetime 5/8" diameter Stainless Steel cams
- 1/2" rise
- Heavy, reinforced Stainless 316 construction
- Smooth, easy action
- Industry standard for exceptionally rugged installations

DENT
DESIGN HARDWARE

1-800-598-DENT
www.dent-mfg.com

Fax: 610-262-1870
sales@dent-mfg.com

D-311 12" Heavy Duty Cam-Lift Hinge



SPECIFICATIONS

Overall Length: 13-9/32"

Material: Stainless Steel 316

Finishes: Mirror Polish
*Other finishes available

Offsets: Flush, 1 1/8", 1 1/4", 1 3/8", 1 1/2", 1 5/8", 1 3/4"
*Other offsets available

Screw Holes: 1/4" Hole, 82° Countersunk

Shipping Weight: Stainless 8.0 lbs / pair

Hinge Load Capacity: Stainless 250 lbs / 1 pair