

# D-277 Hydraulic Door Closer



## FEATURES

- Smooth, silent closing action
- Prevents door from slamming
- Keeps door firmly closed and can re-close doors that pop open because of temperature-pressure build up
- Rugged, extra heavy gauge Steel construction

TRAPS, VENTILATORS & MISC.

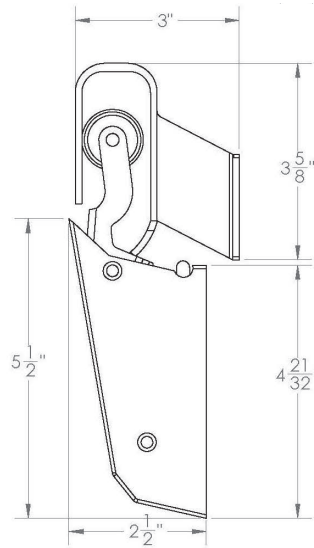
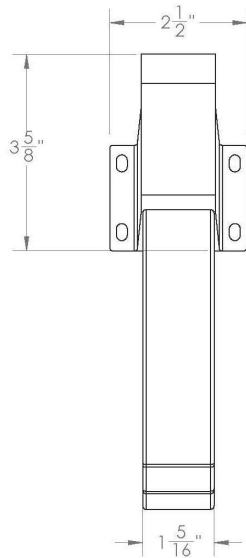
**DENT**  
DESIGN HARDWARE

1-800-598-DENT  
[www.dent-mfg.com](http://www.dent-mfg.com)

Fax: 610-262-1870  
[sales@dent-mfg.com](mailto:sales@dent-mfg.com)

# D-277 Hydraulic Door Closer

TRAPS, VENTILATORS & MISC.



## SPECIFICATIONS

**Overall Length:** Approximately 8"

**Material:** Chrome plated steel

**Finish:** Chrome

**Offsets:** Flush and Offset

**Screw Holes:** #8-32

**Shipping Weight:** 2 lbs.

**DENT**  
DESIGN HARDWARE

1-800-598-DENT  
[www.dent-mfg.com](http://www.dent-mfg.com)

Fax: 610-262-1870  
[sales@dent-mfg.com](mailto:sales@dent-mfg.com)