

# D-27 Key Locking Deadbolt Handle



## FEATURES

- 180° turn safety release for simple, intuitive exit
- The ONLY deadbolt latch on the market with a simple TURN safety release -- not a disassembly release
- Key-locking
- Padlock provision 3/8" diameter
- Easy-install safety release
- Heavy duty, contoured, ergonomic handle
- Two hole mountings available
  - Thru-hole mounting with cap plugs
  - Tamperproof blind holes for security applications

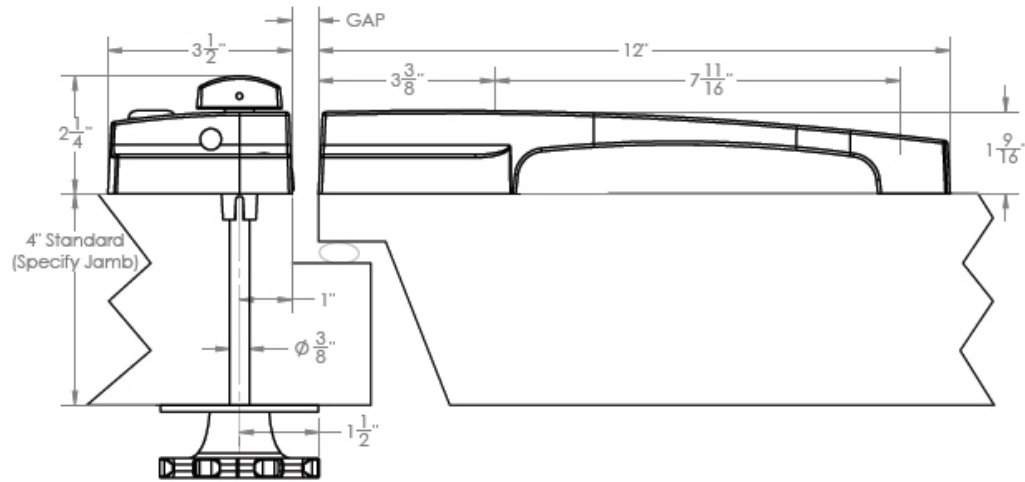
**DENT**  
DESIGN HARDWARE

1-800-598-DENT  
[www.dent-mfg.com](http://www.dent-mfg.com)

Fax: 610-262-1870  
[sales@dent-mfg.com](mailto:sales@dent-mfg.com)

HANDLES & MAGNETIC DOOR HARDWARE

# D-27 Key Locking Deadbolt Handle



## SPECIFICATIONS

**Overall Length:** 16"

**Materials:** Aluminum  
Stainless Steel

**Finishes:** Polished Aluminum  
Brushed Aluminum  
Endurakote Nylon  
\*Other finishes available

**Offsets:** Flush

**Thru Holes:** 1/4" Cap Screw

**Blind Hole:** Drilled & Tapped 1/4 - 20" Machine Screw

**Shipping Weight:** Aluminum 1.85 lbs / each

**Note:** Specify wall thickness

**DENT**  
DESIGN HARDWARE

1-800-598-DENT  
www.dent-mfg.com

Fax: 610-262-1870  
sales@dent-mfg.com