

D-252 Stainless Steel Locking Bar Assembly



LATCHES

FEATURES

- Heavy duty 3/16" thick Stainless Steel construction
- Ultimate security blind hole mounting
- Inside safety release with glow-in-the-dark knob
- Padlock provision 5/16" or 3/8" diameter
- Reversible for right or left hand swing doors
- Includes inside door wear guard plate
- Corrosion-resistant
- Now available with:
 - Sliding door option
 - Security release option

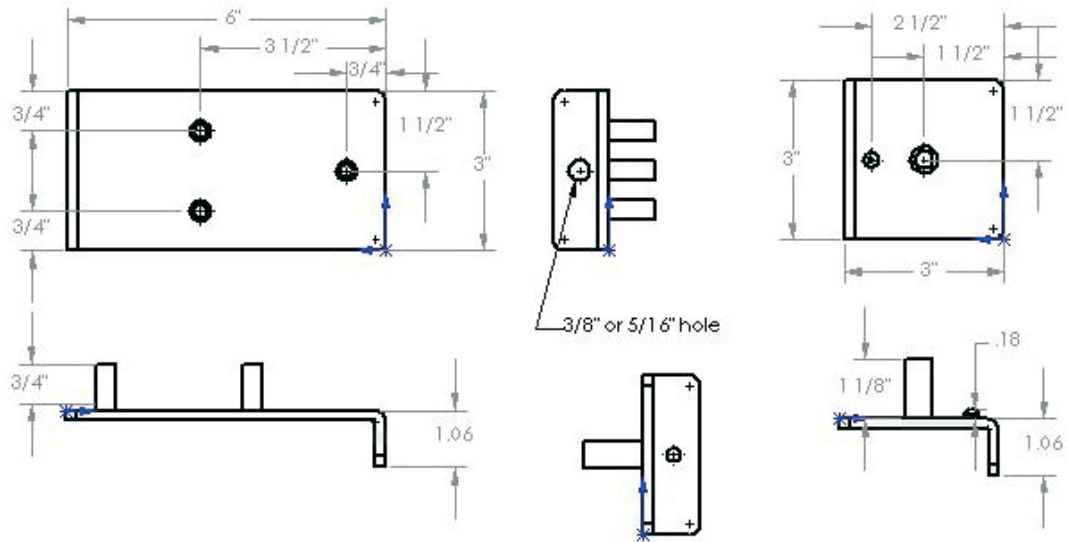
DENT
DESIGN HARDWARE

1-800-598-DENT
www.dent-mfg.com

Fax: 610-262-1870
sales@dent-mfg.com

D-252 Stainless Steel Locking Bar Assembly

LATCHES



SPECIFICATIONS

Overall Length: 9"

Material: 300 Stainless Steel

Finish: Brushed Stainless Steel

Offsets: Flush or Offset

Shipping Weight: Stainless Steel 2.3 lbs / each

Note: Specify wall thickness

DENT
DESIGN HARDWARE

1-800-598-DENT
www.dent-mfg.com

Fax: 610-262-1870
sales@dent-mfg.com