

D-23 Surface Mount Reach-In Latch



LATCHES

FEATURES

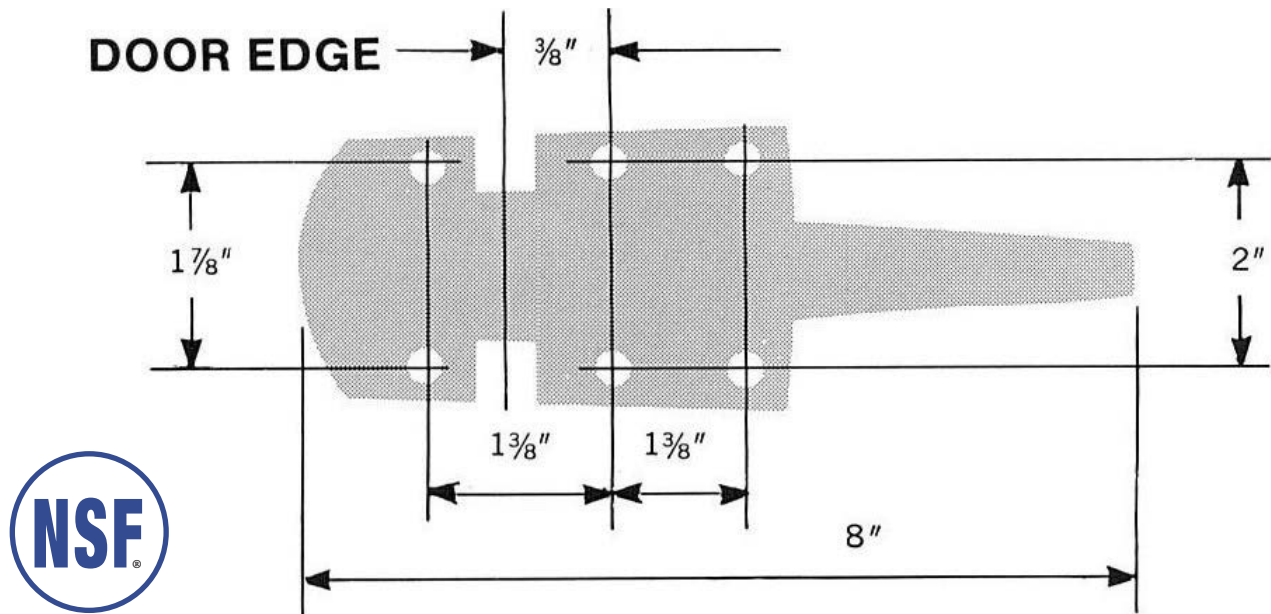
- Positive latching
- Fully interchangeable with all small latches used in last 60 years
- Padlocking provision, 3/8" diameter
- Adjustable offsets
- Wear-resistant
- Industry standard, 60 years

DENT
DESIGN HARDWARE

1-800-598-DENT
www.dent-mfg.com

Fax: 610-262-1870
sales@dent-mfg.com

D-23 Surface Mount Reach-In Latch



SPECIFICATIONS

Overall Length: 8"

Materials: Manganese Bronze
Aluminum

Finishes: Polished Chrome
Polished Aluminum
Endurakote Nylon
*Other finishes available

Offsets: Flush, 1", 1-1/8", 1-1/4", 1-3/8", 1-1/2", 1-5/8", 1-3/4"

Screw Holes: Drilled and Countersunk, No. 10 Screw

Shipping Weight: Bronze 2.2 lbs / each
Aluminum 0.7 lbs / each