

# D-21 9" Heavy Duty Cam-Lift Hinge



## FEATURES

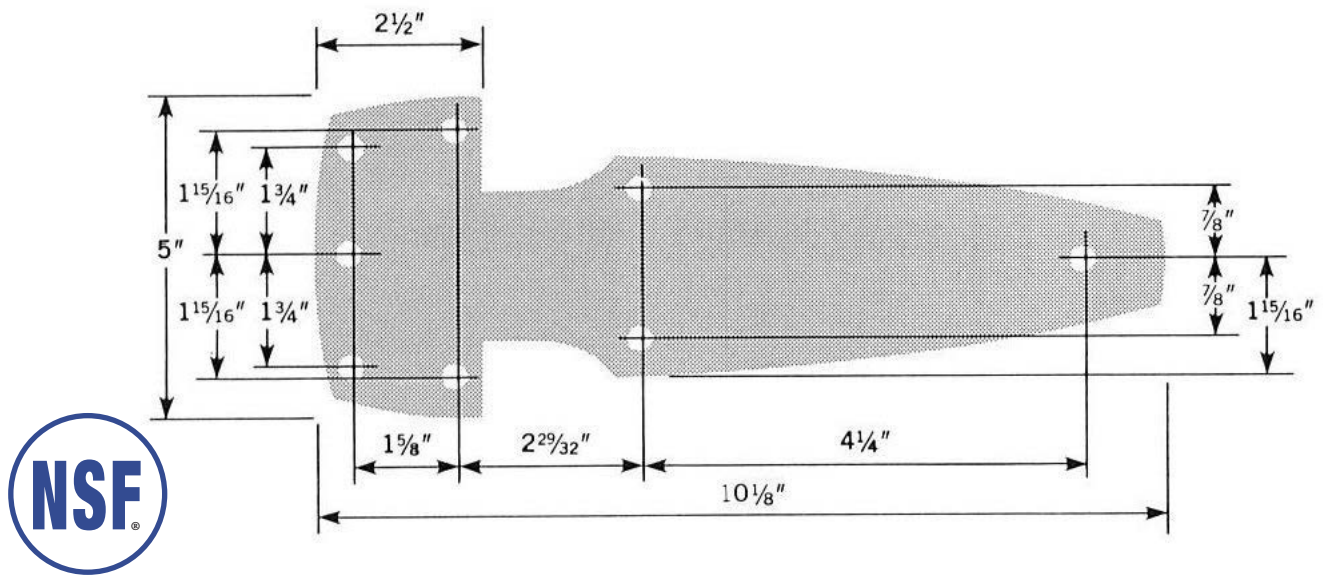
- Lifetime 3/4" diameter case hardened Steel cams
- 1/2" rise
- Heavy, reinforced Manganese Bronze construction
- Smooth, easy action
- Industry standard for exceptionally rugged installations

**DENT**  
DESIGN HARDWARE

1-800-598-DENT  
[www.dent-mfg.com](http://www.dent-mfg.com)

Fax: 610-262-1870  
[sales@dent-mfg.com](mailto:sales@dent-mfg.com)

# D-21 9" Heavy Duty Cam-Lift Hinge



## SPECIFICATIONS

**Overall Length:** 10-1/8"

**Material:** Manganese Bronze

**Finishes:** Polished Chrome  
\*Other finishes available

**Offsets:** Flush, 1-1/8", 1-1/4", 1-3/8"  
\*Base shims, 1/8" thick available

**Screw Holes:** 1/4" Hole, 82° Countersunk

**Shipping Weight:** Bronze 6.5 lbs / pair

**Hinge Load Capacity:** Bronze 200 lbs / 1 pair