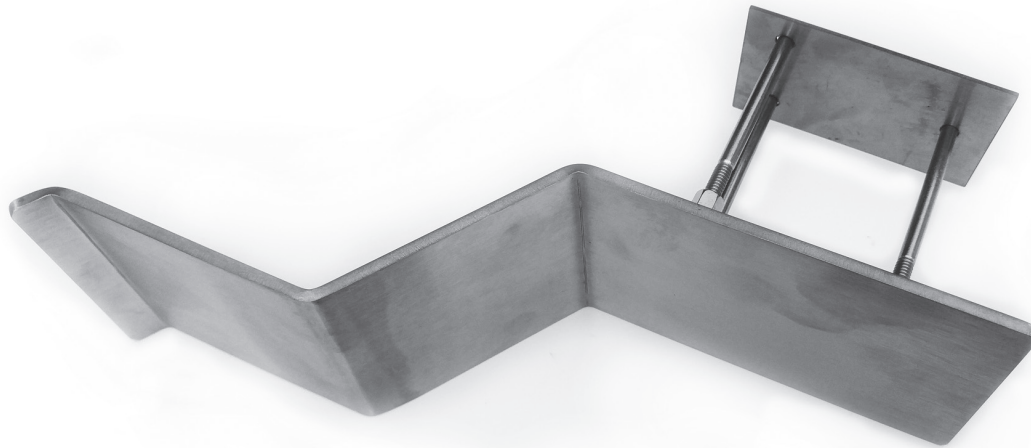


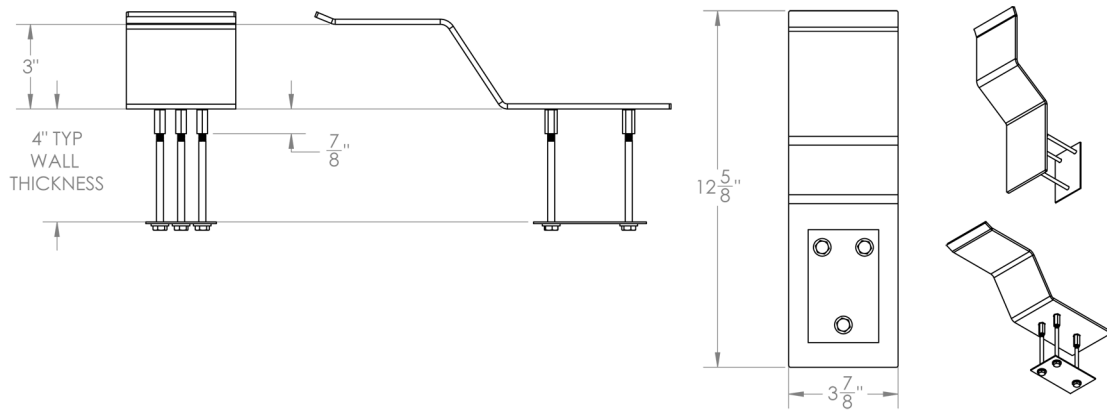
D-182 Pull Handle



FEATURES

- Reasonable Accommodation for ADA compliance - no fingers needed
- Easy-grab pull with wrist or forearm - lots of clearance
- Use for cleanrooms where hands or gloves must not contact handle
- Perfect for magnetic door walk-in refrigerators, freezers and sliding doors
- Typical vertical mounting for swing doors
- Typical horizontal mounting for sliding doors
- High strength, corrosion-resistant stainless steel 316
- No cracks or crevasses - food safe!
- Only stainless steel pull handle like it on the market

D-182 Pull Handle



SPECIFICATIONS

Overall Length: 10 5/8"

Overall Width: 3"

Handle Clearance: 3"

Material: Stainless Steel 304

Finishes: Brushed Stainless Steel Standard

*Other finishes available

Screw Holes: 1/4" or 6mm

Shipping Weight: Stainless steel 2.2 lbs each