

D-112 Single Door Padlock Hasp



LATCHES

FEATURES

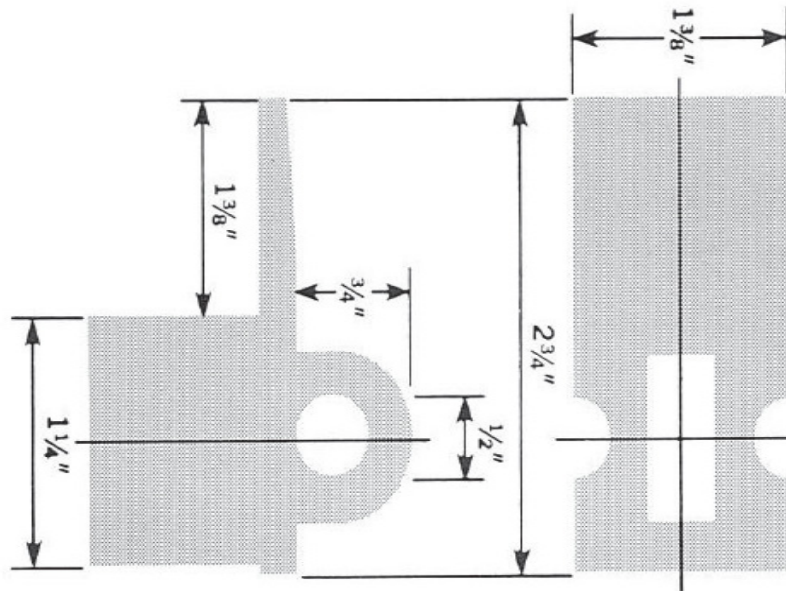
- Tamperproof—all screw holes concealed
- Optional safety release available
 - Specify D-112-K/D-83-SR and wall thickness
- Heavy reinforced Manganese Bronze and Stainless Steel construction
- Double door padlock hasp available
 - Specify D-113
- Reversible
- Theft deterrent

DENT
DESIGN HARDWARE

1-800-598-DENT
www.dent-mfg.com

Fax: 610-262-1870
sales@dent-mfg.com

D-112 Single Door Padlock Hasp



SPECIFICATIONS

Materials: Manganese Bronze
Stainless Steel

Finishes: Polished Chrome

Offsets: 1-1/4"
*Other offsets available

Screw Holes: Drilled and Countersunk No. 10 Screw

Shipping Weight: Bronze 0.5 lbs / each
Bronze (with release) 0.9 lbs / each