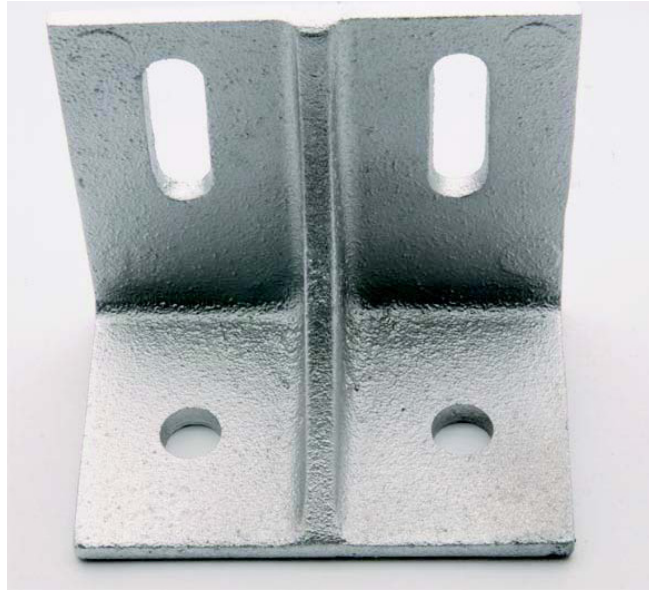


D-101-4 4" Angle Floor Bracket



FEATURES

- Designed to effectively anchor cooler wall section to floor at door opening
- Rugged
- Lightweight design
- Reinforced design
- High strength, corrosion-resistant alloy

TRAPS, VENTILATORS & MISC.

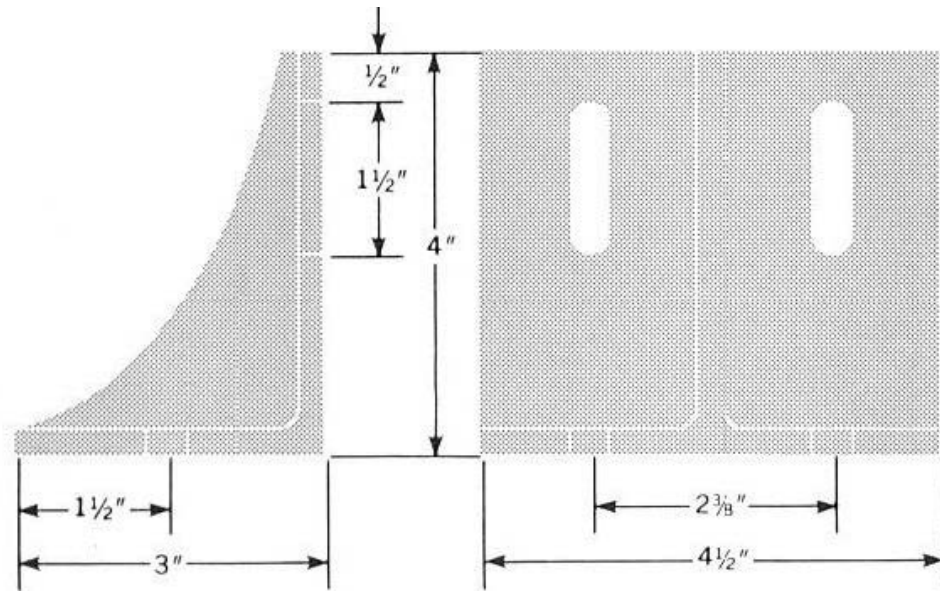
DENT
DESIGN HARDWARE

1-800-598-DENT
www.dent-mfg.com

Fax: 610-262-1870
sales@dent-mfg.com

D-101-4 4" Angle Floor Bracket

TRAPS, VENTILATORS & MISC.



SPECIFICATIONS

Overall Length: 4"

Material: Aluminum

Finish: Cast Aluminum

Screw Hole: 9/16" Hole

Shipping Weight: Aluminum 0.7 lbs / each

DENT
DESIGN HARDWARE

1-800-598-DENT
www.dent-mfg.com

Fax: 610-262-1870
sales@dent-mfg.com